

ASSEMBLING INSTRUCTION

CRASH PAD

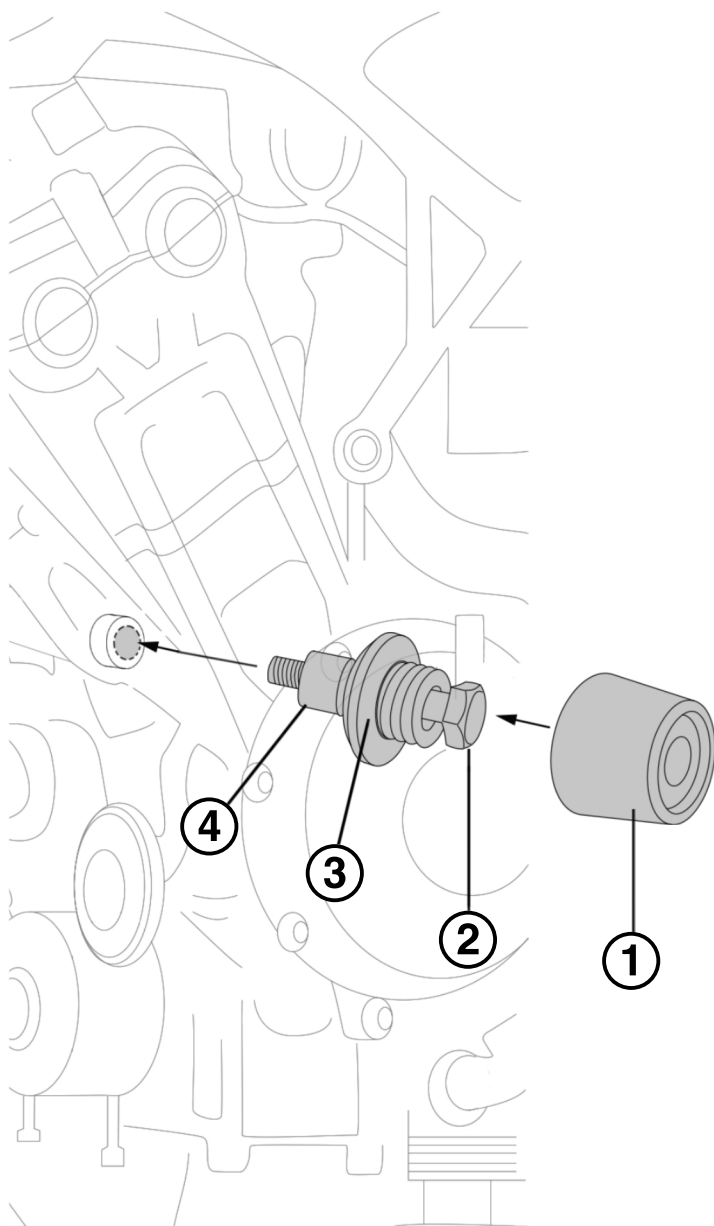
HN6101-19

WWW.BARRACUDAMOTO.COM

LEGEND

- | | |
|---|---|
| 1. HEAD PAD
TESTA TAMPONE
TIESTA DE TOPE
STURZPAD KOPF
TÊTE TAMPON | 4. SPECIFIC THICKNESS H20MM
SPESSORE SPECIFICO H20MM
ESPACIADOR H20MM
ABSTANDSHALTER H20MM
ESPACEUR H20MM |
| 2. SCREW M12X100
VITE M12X100
TORNILLO M12X100
SCHRAUBE M12X100
VIS M12X100 | 5. SPECIFIC THICKNESS H30MM
SPESSORE SPECIFICO H30MM
ESPACIADOR H30MM
ABSTANDSHALTER H30MM
ESPACEUR H30MM |
| 3. BASE PAD
BASE TAMPONE
BASE DE TOPE
STURZPAD BASIS
BASE TAMPON | 6. SCREW M12X90
VITE M12X90
TORNILLO M12X90
SCHRAUBE M12X90
VIS M12X90 |

LEFT SIDE



RIGHT SIDE

